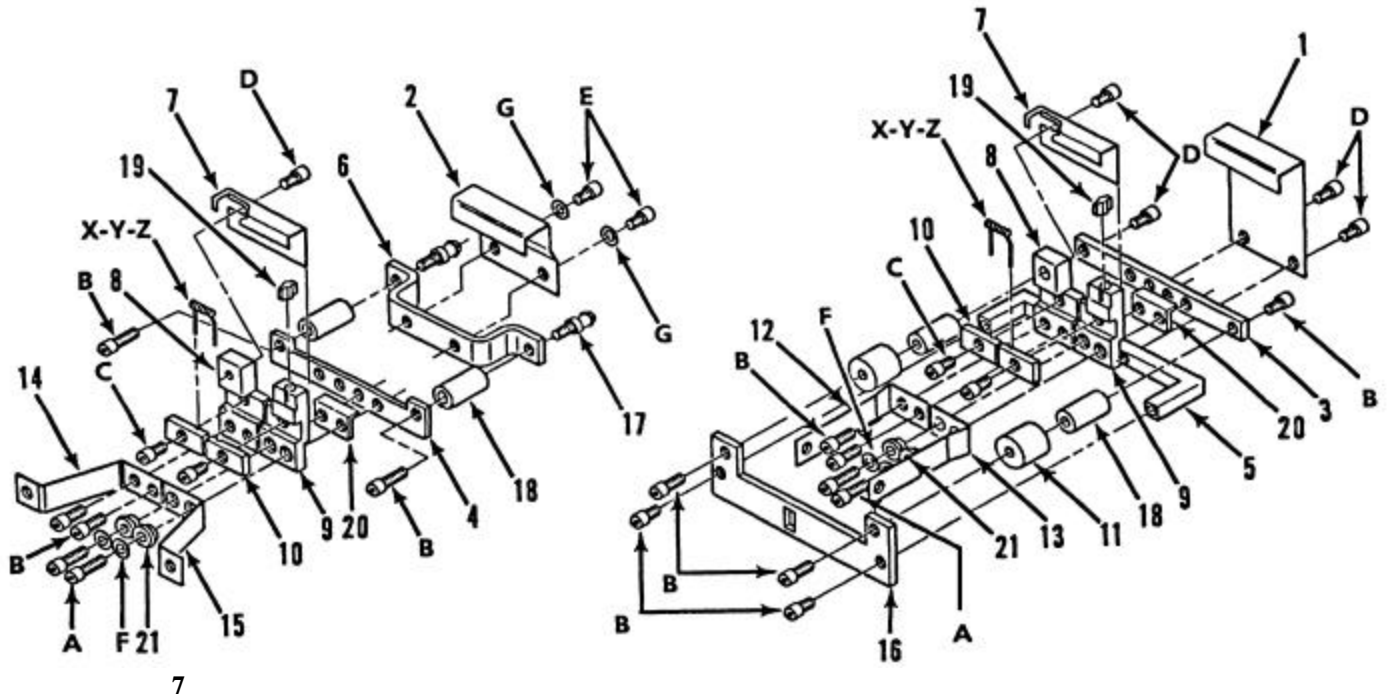




# ELECTRON BEAM EMITTER PARTS

for Temescal, CHA and Telemark guns.  
*ALL PART NUMBERS CROSS-REFERENCED BELOW.*



7

| PART   | TEMESCAL        | CHA/TELEMARK | VESCO    | PRICE    |
|--|-----------------|--------------|----------|----------|
| 1 ANODE.....                                 | 204-0292.....   | 273-0003     | V-0292   | \$70.00  |
| 2 ANODE .....                                | 303-9402.....   | 253-0017     | V-9402   | \$70.00  |
| 3 MOUNTING BAR.....                          | 204-0322.....   | 273-0017     | V-0322   | \$50.00  |
| 4 MOUNTING BAR.....                          | 303-9412.....   | 252-0020     | V-9412   | \$50.00  |
| 5 MOUNTING BRACKET.....                      | 204-0312.....   | 273-0019     | V-0312   | \$70.00  |
| 6 EMITTER SUPPORT BRACKET.....               | 303-3152.....   | 252-0016     | V-3152   | \$70.00  |
| 7 BEAM FORMER.....                           | 415-1822.....   | 273-0004     | V-1822   | \$40.00  |
| 8 CATHODE BLOCK L.H.....                     | 303-9362.....   | 273-0031A    | V-9362   | \$100.00 |
| 9 CATHODE BLOCK R.H.....                     | 303-9372.....   | 273-0031B    | V-9372   | \$100.00 |
| 10 FILAMENT CLAMP.....                       | 303-9382.....   | 273-0033     | V-9382   | \$25.00  |
| 11 INSULATOR SHIELD.....                     | 204-0302.....   | 273-0011     | V-0302   | \$20.00  |
| 12 FILAMENT BUSS BAR L.H.....                | 204-0343-1..... | 273-0035A    | V-0343-1 | \$40.00  |
| 13 FILAMENT BUSS BAR R.H.....                | 204-0343-2..... | 273-0036B    | V-0343-2 | \$40.00  |
| 14 FILAMENT BUSS BAR L.H.....                | 303-3122-1..... | 273-0035A    | V-3122-1 | \$40.00  |
| 15 FILAMENT BUSS BAR R.H.....                | 303-3122-2..... | 273-0036B    | V-3122-2 | \$40.00  |
| 16 EMITTER SUPPORT BAR.....                  | 204-0332.....   | 273-0018     | V-0332   | \$70.00  |
| 17 SUPPORT STUD.....                         | 303-3161.....   | 273-0040     | V-3161   | \$25.00  |
| 18 H.V. INSULATOR (BOX 10).....              | 602-8781.....   | 273-0010     | V-8781   | \$75.00  |
| 19 LOCATING INSULATOR.....                   | 303-6721.....   | 273-0005     | V-6721   | \$5.00   |
| 20 R.ANGLE INSULATOR.....                    | N/A.....        | N/A          | V-3130   | \$15.00  |
| 21 FLANGED INSULATOR.....                    | 303-3131.....   | 273-0006     | V-3131   | \$5.00   |
| X 7 1/2 TURN FILAMENT (BOX 5).....           | 317-6871.....   | 273-0001     | V-6871   | \$60.00  |
| Z 5 1/2 TURN FILAMENT (BOX 5).....           | 0515-5441.....  | 273-0002-1   | V-5441   | \$60.00  |
| A SCREW SOC HD 6-32 NC 1/2 IN (BOX 10).....  | 1321-1255.....  | 271-6060     | V-1255   | \$5.00   |
| B SCREW SOC HD 6-32 NC 3/8 IN (BOX 10).....  | 1321-1254.....  | 271-6050     | V-1254   | \$5.00   |
| C SCREW SOC HD 6-32 NC 5/16 IN (BOX 10)..... | N/A.....        | N/A          | V-1250   | \$5.00   |
| D SCREW SOC HD 6-32 NC 1/4 IN (BOX 10).....  | 1321-1252.....  | 271-6030     | V-1252   | \$5.00   |
| E SCREW SOC HD 6-32 NC 3/16 IN (BOX 10)..... | 1321-1251.....  | N/A          | V-1251   | \$5.00   |
| F WASHER FLAT #6 (BOX 10).....               | 1378-1200.....  | 273-0007     | V-1200   | \$1.00   |
| G LOCKWASHER INT. TOOTH #6 SST (BOX 10)..... | 1474-1200.....  | N/A          | V-1201   | \$1.00   |

**CALL (978) 887-5305 or FAX (978) 887-9046**